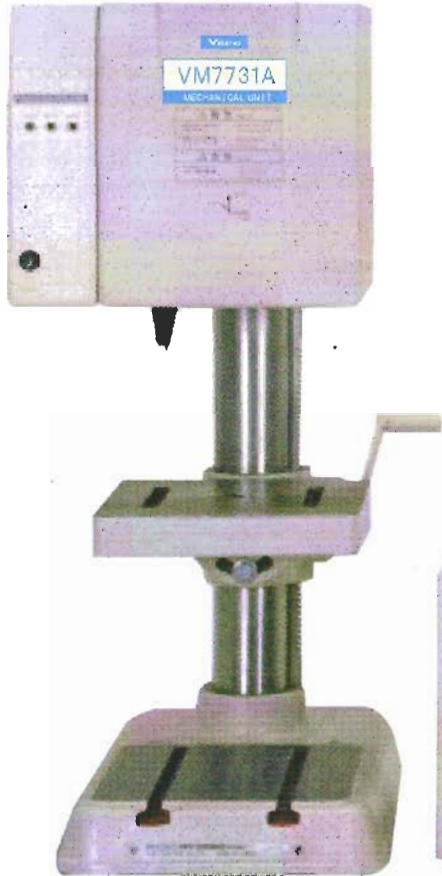


Air Pen Marking Machine

Small Impact Pen

VM7730A



VM7731A
Mechanical unit



VM7732A
Control unit



VM7891
Operation unit
(Optional)

Introduction

With air pen's high-speed vibration generated by ultrasonic, VM7730A is capable of fine and beautiful marking.

Widely useful for marking for production control, quality assurance, PL, ISO and distribution management, etc.

Features

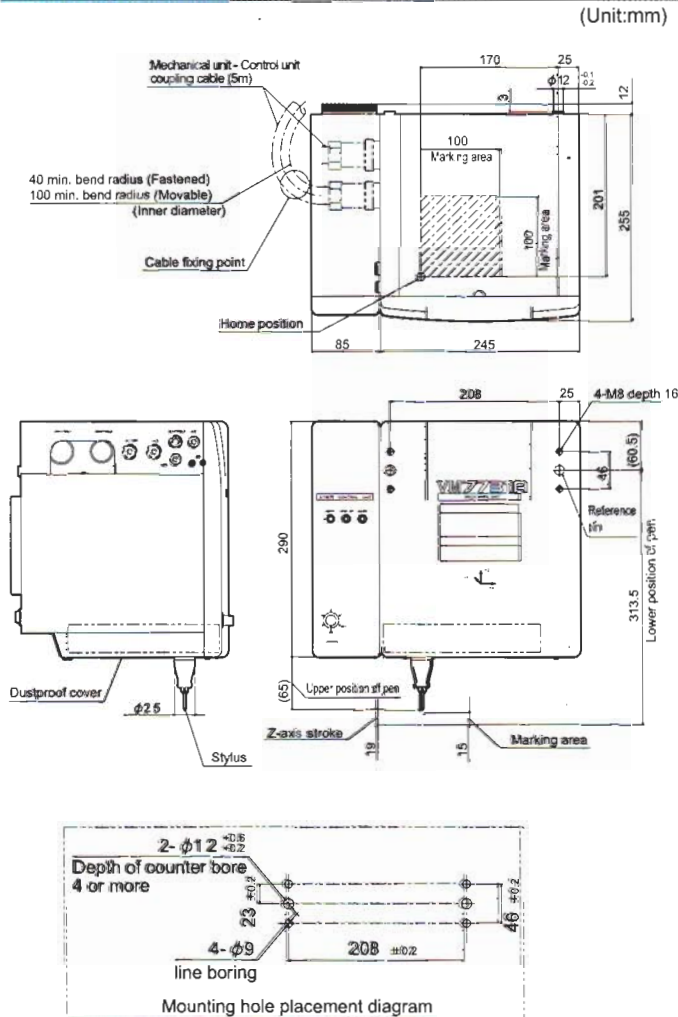
- Adopting our originally developed "Floating mechanism", it can mark on any surfaces like curved surface, rough surface and casting surface.
- Regardless of size or shape of characters, pen marking impact to a object is very small. Accuracy of form is not influenced by marking.
- Character layout, such as size of characters, space between characters, story direction, character string shape, etc. is easily customized.
- By the combination of character string registered job, origin returning, pausing marking, transferring to marking start position etc, simple sequence operation can be performed without sequencer.
- Incliniment function and carrender function are standard equipment, applicable in various ways.

Vector Co., LTD.

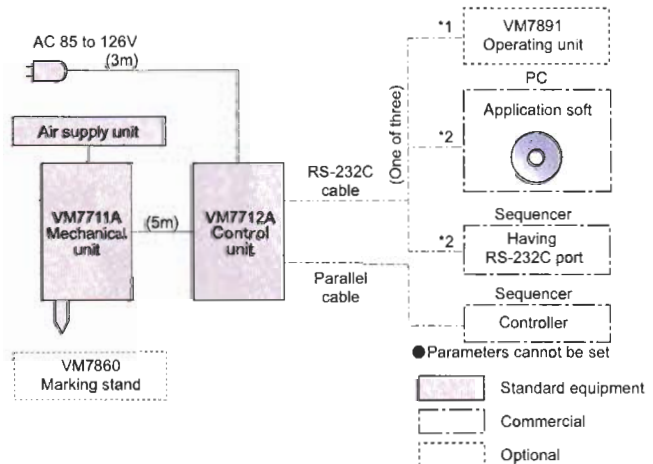
Specifications

Marking Device	Ultrasonic pen	Power Supply	85 to 126VAC, 50/60Hz
Marking Area(XxY)	100 (X) × 100 (Y)mm	Compressed Air Supply	0.3MPa or more, 10L/min Air must be dry and clean (Dew point -17 degrees C or less).
Z-axis Stroke	19mm (Marking area 15mm)	Environment	Operating temperature: 0 to 40 degrees C Storing temperature: -5 to +50 degrees C Operating humidity: 90%Rh or less (No condensation)
Applicable Material	Steel, Alminum, Copper, alloy of these metals, Stainless steel, Hard plastic, etc.	Dimensions	Mechanical unit: Approx. 330x290x255mm Control unit: Approx. 285x273x261mm
Marking Speed	Approx. 1 character per sec. (Character:"A", Size:5.0mm)	Weight	Mechanical unit: Approx. 16.5kg Control unit: Approx. 12kg
Character Type	Small letters, Capital letters, Numeric characters and symbols Total of 80 characters	Accessories	Application soft (For Windows 95/98, CD-ROM) Air supply unit Operation manual(3) Power cable
Character Size	0.5 to 100mm (Adjustable by 0.1mm)	Optional Accesories	VM7891 Operating unit VM7890 Special character making software VM8682 Marking stand
Font	Original font		
Number of Resisterable Character	512 strings		
Number of Resisterable Sequence	512 sequences		
Length of Character String	1 to 36 characters		
Rotation Angle of character	Adjustable by 90 degrees C		
Interface	Parallel port, RS-232C		
Other Functions	Increment, circular character, calender		

Dimensions



Block Diagram



Use following cables

- * 1) RS-232C cable
 Marking machine $\xrightarrow{\text{RS-232C cable (reverse)}}$ Operating unit
 D-sub25P (male pin) $\xrightarrow{\text{D-sub9S (female pin)}}$
- * 2) RS-232C cable
 Marking machine $\xrightarrow{\text{RS-232C cable (reverse)}}$ PC
 D-sub25P (male pin) $\xrightarrow{\text{Connector for PC}}$

Windows[®] 95 / Windows[®] 98 is a registered trademark of Microsoft Corporation in the United States and other countries.

NOTICE: Specifications and design are subject to modify without notice.



Vector Co., Ltd.

HEAD OFFICE
 2-12-16, Ekiminami, Kosai-City,
 Shizuoka Pref. 431-0427, Japan
 TEL: +81-53-573-3838
 FAX: +81-53-577-0118